

2014

The maximum nullity of a complete subdivision graph is equal to its zero forcing number

Wayne Barrett
wayne@math.byu.edu

Steve Butler

Minerva Catral

Shaun M. Fallat

H. Tracy Hall

See next page for additional authors

Follow this and additional works at: <https://repository.uwyo.edu/ela>

Recommended Citation

Barrett, Wayne; Butler, Steve; Catral, Minerva; Fallat, Shaun M.; Hall, H. Tracy; Hogben, Leslie; and Young, Michael. (2014), "The maximum nullity of a complete subdivision graph is equal to its zero forcing number", *Electronic Journal of Linear Algebra*, Volume 27. DOI: <https://doi.org/10.13001/1081-3810.1629>

This Article is brought to you for free and open access by Wyoming Scholars Repository. It has been accepted for inclusion in Electronic Journal of Linear Algebra by an authorized editor of Wyoming Scholars Repository. For more information, please contact scholcom@uwyo.edu.

The maximum nullity of a complete subdivision graph is equal to its zero forcing number

Authors

Wayne Barrett, Steve Butler, Minerva Catral, Shaun M. Fallat, H. Tracy Hall, Leslie Hogben, and Michael Young

THE MAXIMUM NULLITY OF A COMPLETE SUBDIVISION GRAPH IS EQUAL TO ITS ZERO FORCING NUMBER*

WAYNE BARRETT[†], STEVE BUTLER[‡], MINERVA CATRAL[§], SHAUN M. FALLAT[¶],
H. TRACY HALL^{||}, LESLIE HOGBEN^{**}, AND MICHAEL YOUNG^{††}

Abstract. Barrett et al. asked in [W. Barrett et al. Minimum rank of edge subdivisions of graphs. *Electronic Journal of Linear Algebra*, 18:530–563, 2009.], whether the maximum nullity is equal to the zero forcing number for all complete subdivision graphs. We prove that this equality holds. Furthermore, we compute the value of $M(F, \vec{G}) = Z(\vec{G})$ by introducing the bridge tree of a connected graph. Since this equality is valid for all fields, \vec{G} has field independent minimum rank, and we also show that \vec{G} has a universally optimal matrix.

Key words. Zero forcing number, Maximum nullity, Minimum rank, Complete subdivision, Bridge tree, Universally optimal, Matrix, Graph.

AMS subject classifications. 05C50, 15A03, 15A18, 15B57.

1. Introduction. A *complete subdivision graph* \vec{G} is obtained from a graph G by subdividing every edge of G once; $M(F, G)$ denotes the maximum nullity of G over a field F and $Z(G)$ denotes the zero forcing number of G (definitions are given below). The paper [5] concludes with a list of open questions, including the following interesting problem.

QUESTION 1.1. *Is $M(F, \vec{G}) = Z(\vec{G})$ for every field F and graph G ?*

The main result of this paper is an affirmative answer to this question (see Theorem 1.3 below), which is proved by giving an easily computable formula for this

*Received by the editors on June 28, 2013. Accepted for publication on June 3, 2014. Handling Editor: Bryan L. Shader.

[†]Department of Mathematics, Brigham Young University, Provo UT 84602 (wayne@math.byu.edu).

[‡]Department of Mathematics, Iowa State University, Ames, IA 50011, USA (butler@iastate.edu).

[§]Department of Mathematics and Computer Science, Xavier University, Cincinnati, OH 45207, USA (catralm@xavier.edu).

[¶]Department of Mathematics and Statistics, University of Regina, Regina, SK, Canada (shaun.fallat@uregina.ca). Research supported in part by an NSERC research grant.

^{||}Department of Mathematics, Brigham Young University, Provo UT 84602 (H.Tracy@gmail.com).

^{**}Department of Mathematics, Iowa State University, Ames, IA 50011, USA (lhogben@iastate.edu) and American Institute of Mathematics, 360 Portage Ave, Palo Alto, CA 94306 (hogben@aimath.org).

^{††}Department of Mathematics, Iowa State University, Ames, IA 50011, USA (myoung@iastate.edu). Research supported in part by NSF DMS 0946431.

common value and giving constructive methods for producing a zero forcing set of the required cardinality (Section 2) and a matrix in $\mathcal{S}(F, \bar{G})$ of the required nullity over all fields (Section 3). The proofs also produce information about minimum zero forcing sets and optimal matrices of complete subdivision graphs.

The problem of determining maximum nullity of the family of symmetric matrices whose off-diagonal nonzero pattern is described by the edges of a graph G is equivalent to determining the minimum rank over the same set of matrices. This problem and variants have a substantial history in discrete mathematics, and have generated interest among linear algebraists recently, partly based on the connection to certain inverse eigenvalue problems, but also because there are many interesting applications, such as to communication complexity in computer science [12].

The zero forcing number was introduced independently by groups studying minimum rank/maximum nullity [2] and groups studying control of quantum systems in mathematical physics [8]. For a summary of the current state of research on maximum nullity and zero forcing number, see [15] and the references therein. For more information on the use of zero forcing in control of quantum systems, see, for example, [6, 7, 9]. Zero forcing, also called propagation, has additional applications to power dominating sets, which arose in the study of electrical networks, and to the study of influence in social networks [1]. Since the introduction of zero forcing number as an upper bound for maximum nullity, the question of characterizing graphs for which maximum nullity (over some field) is equal to zero forcing number has been of interest (see, for example, [2, Question 1]). It is known that maximum nullity equals zero forcing number for all graphs of order at most seven [13], some large families including trees [2], block clique graphs and unit interval graphs [17], and many specific structured families [2, 17], but these parameters diverge for large random graphs [16, 19].

The equality $M(F, \bar{G}) = Z(\bar{G})$ was established for graphs that have a Hamilton path in [5] (with an easy formula for the value) and for graphs that do not have a bridge in [10] (without a formula for the value). Our main result, Theorem 1.3, extends this identity to all graphs G and gives an easily computed formula for $Z(\bar{G})$. Combining this identity with Theorem 2.5 in [5] and Proposition 5.5 in [20], which state, respectively, that maximum nullity and zero forcing number are unchanged when subdividing an edge adjacent to a degree two vertex, we see that $M(H) = Z(H)$ for *any* graph H obtained from \bar{G} by subdividing edges. Another result in [5], Lemma 2.1, states that under an edge subdivision, maximum nullity either does not change or increases by one. Therefore, given a subset S of the edges of a graph G , if G_S is the graph obtained by subdividing each edge in S once, then $M(F, G) \leq M(F, G_S) \leq M(F, \bar{G})$, and these bounds can be sharpened by taking $|S|$ into account. Thus, the problem of determining the maximum nullity of any subdivision of a graph G

is reduced to calculating it for a finite number of subdivisions of G , and, provided $M(F, G)$ is known, each of these lies in a known interval.

The question of determining graphs that have field independent minimum rank has also been of interest and the question of whether a graph has a universally optimal matrix for minimum rank/maximum nullity has been studied [11, 18]. Our results also provide answers to these questions for complete subdivision graphs.

We now define our terminology, including terms basic to the problem and terminology for a new construction (bridge tree) needed to state the common value of maximum nullity and zero forcing number. For a (simple, undirected) graph G , $n(G)$ denotes the number of vertices (order) of G and $m(G)$ denotes the number of edges (size) of G (we use m and n when G is clear from context). Let F be any field. For a graph G that has vertex set $V(G) = \{v_1, \dots, v_n\}$ and edge set $E(G)$, $\mathcal{S}(F, G)$ is the set of all symmetric $n \times n$ matrices A with entries from F such that for any $i \neq j$, $a_{ij} \neq 0$ if and only if $\{v_i, v_j\} \in E(G)$. The *minimum rank* of G is $\text{mr}(F, G) = \min\{\text{rank } A : A \in \mathcal{S}(F, G)\}$, and the *maximum nullity* of G is $M(F, G) = \max\{\text{null } A : A \in \mathcal{S}(F, G)\}$. Note that for any field F , $\text{mr}(F, G) + M(F, G) = n(G)$, so the problem of determining the minimum rank of a given graph is equivalent to the problem of determining its maximum nullity. If the field F is omitted, it is assumed to be the real numbers: $\text{mr}(G) = \text{mr}(\mathbb{R}, G)$ and $M(G) = M(\mathbb{R}, G)$. A graph G has *field independent* minimum rank if $\text{mr}(F, G) = \text{mr}(\mathbb{R}, G)$ for all fields F . For a symmetric matrix $A \in F^{n \times n}$, the *graph* of A is $\mathcal{G}(A) = (V, E)$ where $V = \{1, \dots, n\}$ and $E = \{ij \mid a_{ij} \neq 0 \text{ and } i \neq j\}$. Note that a matrix $A \in \mathbb{Z}^{n \times n} \subset \mathbb{Q}^{n \times n} \subset \mathbb{R}^{n \times n}$ can also be interpreted as living in $\mathbb{Z}_p^{n \times n}$ for a prime p , and we denote the graph when viewing A this way by $\mathcal{G}^{\mathbb{Z}_p}(A)$ (for F a field of characteristic p , $\mathcal{G}^F(A) = \mathcal{G}^{\mathbb{Z}_p}(A)$). A symmetric integer matrix A has $\mathcal{G}^F(A) = \mathcal{G}(A)$ for all fields F if and only if all off-diagonal entries of A are in $\{0, \pm 1\}$. A *universally optimal matrix* is an integer matrix A such that every off-diagonal entry of A is 0, 1, or -1 , and for all fields F , $\text{rank}^F(A) = \text{mr}(F, \mathcal{G}(A))$.

The zero forcing number of a graph is the minimum number of blue vertices initially needed to color all vertices blue according to the *color-change rule*, defined as follows: If G is a graph with each vertex colored either white or blue, b is a blue vertex of G and exactly one neighbor w of b is white, then change the color of w to blue. In this case we say b *forces* w and write $b \rightarrow w$. Let S be a subset of V . The *final coloring of S* is the result of initially coloring every vertex in S blue and every vertex in $V(G) \setminus S$ white, and then applying the color-change rule until no more changes are possible; the order of the forces does not affect the final coloring [2]. A *zero forcing set* of G is a set $Z \subseteq V(G)$ such that every vertex in the final coloring of Z is blue. The *zero forcing number* of G is $Z(G) = \min\{|Z| : Z \text{ is a zero forcing set of } G\}$ and $\text{mz}(G) = n(G) - Z(G)$. A zero forcing set Z is called a *minimum zero forcing set* of G if $|Z| = Z(G)$. The terminology ‘zero forcing’ refers to the fact that using zero

Maximum Nullity of a Complete Subdivision Graph is Equal to its Zero Forcing Number 447

forcing on $\mathcal{G}(A)$ corresponds to forcing certain entries in a null vector of A to be zero, and it was established in [2] that for any field F and graph G , $M(F, G) \leq Z(G)$, or equivalently, $mz(G) \leq mr(F, G)$. Given a zero forcing set Z of G , a *zero forcing process* for Z is some set of forces that can be used to color all the vertices blue. The forces in a zero forcing process can be grouped into induced paths, called *forcing paths*, each beginning with a vertex in Z . Note that the forcing paths are not uniquely determined by Z . A vertex w is *Z-terminal* (for a particular zero forcing process of Z) if w is the last vertex in a zero forcing path of the zero forcing process (it is possible that $v \in Z$ is also Z -terminal, if the path is a single vertex).

The vertices of the complete subdivision \vec{G} of G are of two types: the *original vertices* $V(G)$ and the *edge-vertices*, which are the new vertices created by edge subdivision. Each edge-vertex of \vec{G} corresponds to an edge of G , and we sometimes use the same symbol for both the edge of G and the edge-vertex of \vec{G} .

A *bridge* or *cut-edge* of a connected graph is an edge whose deletion disconnects the graph. A *bridgeless* graph is a connected graph with no bridge; necessarily such a graph does not have order 2 (because K_2 has a bridge). An *island* of a connected graph is a maximal bridgeless subgraph, necessarily induced. A *cut-vertex* of a connected graph is a vertex whose deletion disconnects the graph. A *block* is a maximal connected subgraph that has no cut-vertex, necessarily induced. Every block except K_2 is an island, but there are many examples of islands that are not blocks, such as two cycles that intersect in a vertex. A *2-edge connected* graph is a connected graph of order greater than one from which at least two edges must be deleted to disconnect the graph. A single vertex is bridgeless but not 2-edge connected. A graph is *minimally 2-edge connected* if it is 2-edge connected and the deletion of any edge leaves a connected graph that is not 2-edge connected, i.e., has a bridge.

DEFINITION 1.2. Given a graph G , define the *bridge forest* of G to be the forest $BF(G)$ obtained by contracting every island with more than one vertex to a single vertex. When G is connected the bridge forest is a tree, and we often refer to it as the *bridge tree*.

Our main result is the following:

THEOREM 1.3. For any graph G with $c(G)$ connected components and any field F ,

$$M(F, \vec{G}) = Z(\vec{G}) = m(G) - n(G) + c(G) + Z(\overline{BF(G)}).$$

In the absence of a method applicable to a particular graph, determination of minimum rank/maximum nullity in theory involves consideration of an infinite family of matrices and in practice is frequently determined by finding a matrix realizing a known upper bound for maximum nullity, such as zero forcing number (if the two parameters are equal). Although computation of the zero forcing number involves op-

timizing over a finite rather than an infinite set, from a graph theoretical perspective it is regarded as difficult to compute (NP-hard even for planar graphs) [1]. Fortunately, the zero forcing number of a forest, and hence of a subdivision of a forest, is readily computed by a variety of fast algorithms that compute maximum nullity of a forest (e.g., see [14]). Thus, Theorem 1.3 renders the computation of maximum nullity and zero forcing number of a complete subdivision graph straightforward and fast.

Theorem 1.3 implies field independence of minimum rank for a complete subdivision graph, and we also give a construction of a universally optimal matrix for \vec{G} . Theorem 1.3 is proved in the case that G is connected by giving constructions of a zero forcing set of cardinality $m(G) - n(G) + 1 + Z(\overline{BF}(G))$ (Section 2) and a matrix in $\mathcal{S}(\vec{G})$ of nullity $m(G) - n(G) + 1 + Z(\overline{BF}(G))$ (Section 3). Additivity of the parameters used completes the proof for all graphs.

We will use results from [5] and [10]. Since the proof of the next result uses a key idea and is very brief, it is included. For a graph G , an *orientation* \vec{G} of G is obtained by assigning a direction to each edge. The *oriented vertex-edge incidence matrix* of \vec{G} is the matrix $Q = [q_{ve}]$ where for directed edge $e = (u, v)$, $q_{ue} = -1$, $q_{ve} = 1$, and $q_{we} = 0$ for $w \neq u, v$.

THEOREM 1.4. [5, Corollary 3.13] *For any connected graph G and field F , $\text{mr}(F, \vec{G}) \leq 2n(G) - 2$, or equivalently, $M(F, \vec{G}) \geq m(G) - n(G) + 2$.*

Proof. If B is an oriented vertex-edge incidence matrix of G , then $\text{rank } B = n - 1$ and the matrix $\begin{bmatrix} O & B \\ B^T & O \end{bmatrix} \in \mathcal{S}(\vec{G})$ has rank $2n - 2$. \square

Let \mathcal{K} be the family of bipartite graphs $G = (V(G), E(G))$ such that there is a bipartition of the vertices $V(G) = X \dot{\cup} Y$ with $\deg x \leq 2$ for all $x \in X$ [10]. Clearly every complete edge subdivision graph is in \mathcal{K} . A graph $G \in \mathcal{K}$ is *special* if for every field F there exists a matrix $A \in \mathcal{S}(F, G)$ such that:

1. $\text{null } A = M(F, G)$, and
2. if $x \in X(G)$, then $a_{xx} = 0$.

THEOREM 1.5. [10, Theorem 2.16] *If G is a bridgeless graph in \mathcal{K} , then G is special and $M(F, G) = Z(G)$ for every field F .*

REMARK 1.6. The following technique was used extensively in [11]: If A is a symmetric integer matrix with all off-diagonal entries in $\{0, \pm 1\}$ with $\text{rank}^{\mathbb{R}} A = \text{mz}(\mathcal{G}(A))$, then $\mathcal{G}(A)$ has field independent minimum rank and A is a universally optimal matrix for $\mathcal{G}(A)$ because $\text{mz}(\mathcal{G}(A)) \leq \text{rank}^F A \leq \text{rank}^{\mathbb{R}} A = \text{mz}(\mathcal{G}(A))$.

Maximum Nullity of a Complete Subdivision Graph is Equal to its Zero Forcing Number 449

PROPOSITION 1.7. *If G is connected and $M(\vec{G}) = m(G) - n(G) + 2 = Z(\vec{G})$, then the minimum rank of \vec{G} is field independent and \vec{G} has a universally optimal matrix with all diagonal entries equal to zero.*

Proof. Observe that $M(\vec{G}) = m(G) - n(G) + 2$ is equivalent to $\text{mr}(\vec{G}) = 2n(G) - 2$. Let B be an oriented vertex-edge incidence matrix of \vec{G} (for some orientation of G), so $\text{rank } B = n(G) - 1$. Then for $A = \begin{bmatrix} O & B \\ B^T & O \end{bmatrix}$, $A \in \mathcal{S}(\vec{G})$, $\text{rank } A = 2(n(G) - 1) = \text{mr}(\vec{G})$, and by Remark 1.6, the minimum rank of \vec{G} is field independent and A is a universally optimal matrix. \square

2. Bounding the zero forcing number from above. In this section, we establish the common value of maximum nullity and zero forcing number of \vec{G} of a bridgeless graph G and establish the upper bound for $Z(\vec{G})$ for every connected graph G by producing a zero forcing set of the required cardinality.

THEOREM 2.1. *Suppose G is connected and there exists a real matrix $A \in \mathcal{S}(\vec{G})$ such that $\text{rank } A = \text{mr}(\vec{G})$ and all diagonal entries of A associated with edge-vertices of \vec{G} are zero. Then $\text{mr}(\vec{G}) = 2n(G) - 2$ and $M(\vec{G}) = m(G) - n(G) + 2$.*

Proof. Let $n = n(G)$. The matrix A has the form $A = \begin{bmatrix} D & B \\ B^T & O \end{bmatrix}$ where B has the vertex-edge incidence pattern of G and D is a diagonal matrix. The rank of B is at least $n - 1$ because the submatrix of B associated with a spanning tree of G has rank $n - 1$. Choose $\alpha \subset \{1, \dots, n\}$ and $\beta \subset \{1, \dots, m\}$ with $|\alpha| = |\beta| = n - 1$ such that $B[\alpha, \beta]$ is invertible. Then $A[\alpha \cup \beta] = \begin{bmatrix} D[\alpha] & B[\alpha, \beta] \\ B[\alpha, \beta]^T & O \end{bmatrix}$ is invertible, so $\text{rank } A \geq 2(n - 1)$. Since $\text{rank } A = \text{mr}(\vec{G})$, $\text{mr}(\vec{G}) \geq 2n - 2$; equality follows by Theorem 1.4. \square

Theorems 1.5 and 2.1 establish (2.1) in the next corollary, and Proposition 1.7 establishes the existence of a universally optimal matrix with zero diagonal.

COROLLARY 2.2. *If G is bridgeless, then for every field F ,*

$$Z(\vec{G}) = M(F, \vec{G}) = m(G) - n(G) + 2, \quad \text{mz}(\vec{G}) = \text{mr}(F, \vec{G}) = 2n(G) - 2, \quad (2.1)$$

and G has a universally optimal matrix with all diagonal entries equal to zero.

THEOREM 2.3. *Given any bridgeless graph G , and any vertices u, v of G (not necessarily distinct), there exists a zero forcing set Z of \vec{G} of order $m(G) - n(G) + 2$ (necessarily minimum) such that $u \in Z$ and v is Z -terminal.*

Proof. The proof is by induction on the number of vertices $n(G)$. The result is clear for a single vertex. Assume that for any bridgeless graph G' with $n(G') < n$ and

any vertices u, v of G' , there exists a zero forcing set Z of $\overline{G'}$ of order $m(G') - n(G') + 2$ such that $u \in Z$ and v is Z -terminal.

Let G be a bridgeless graph with $n(G) = n > 1$ (so G is 2-edge connected). Remove edges f_1, \dots, f_ℓ from G to obtain a minimally 2-edge connected graph H ; note that $n(H) = n(G)$ and $m(H) = m(G) - \ell$. Choose any edge e of H . Then $H - e$ necessarily has a bridge (or H would not have been *minimally* 2-edge connected). The bridge forest of $H - e$ is necessarily a path (or H would not have been 2-edge connected). The graph H consists of the $k \geq 2$ islands of $H - e$, connected cyclically with a single edge between each consecutive pair in the cycle (see Figure 2.1).

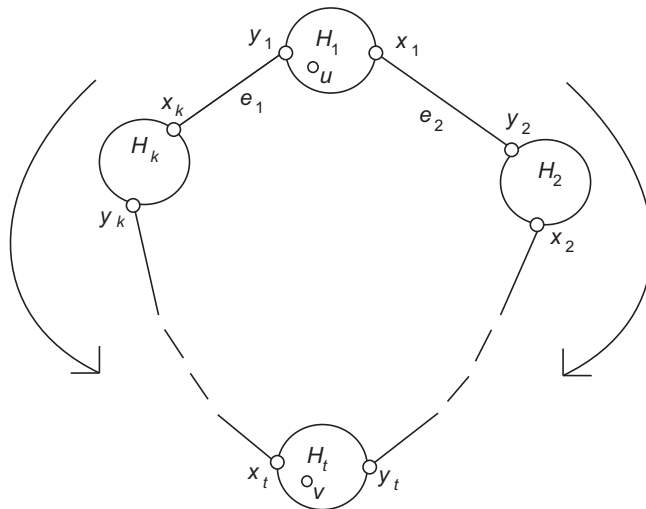


FIG. 2.1. Notation for Theorem 2.3; arrows indicate the direction of zero forcing.

Since we are working over a cycle of order k , subscript arithmetic will be taken modulo k . Let H_1 be the island of $BF(H - e)$ containing u , and number the remaining islands of $BF(H)$ as H_2, \dots, H_k in cycle order. Number the edges having endpoints in two different islands in cycle order as $e_i = \{x_{i-1}, y_i\}$ with $x_i, y_i \in V(H_i)$ (it is possible $x_i = y_i$). Let t denote the index of the island containing vertex v (the argument below assumes $t \neq 1$ but a minor modification handles the case $t = 1$). The notation used is illustrated in Figure 2.1.

Since $n(H_i) < n(H) = n$ for $i = 1, \dots, k$, the induction hypothesis applies to the islands H_i . We wish to construct a zero forcing set for \overline{H} of cardinality $m(H) - n(H) + 2$, using certain zero forcing sets for the subdivided islands \overline{H}_i . For $1 < i < t$, choose a zero forcing set Z_i for \overline{H}_i with $y_i \in Z_i$ and x_i being Z_i -terminal. For $t < i \leq k$, choose a zero forcing set Z_i for \overline{H}_i with $x_i \in Z_i$ and y_i being Z_i -terminal. For \overline{H}_t choose a minimum zero forcing set Z_t with $y_t \in Z_t$ and v being Z_t -terminal. For \overline{H}_1

Maximum Nullity of a Complete Subdivision Graph is Equal to its Zero Forcing Number 451

choose a minimum zero forcing set Z_1 with $u \in Z_1$ and x_1 being Z_1 -terminal.

Define

$$Z := \bigcup_{i=2}^{t-1} (Z_i \setminus \{y_i\}) \cup \bigcup_{i=t+1}^k (Z_i \setminus \{x_i\}) \cup (Z_t \setminus \{y_t\}) \cup Z_1 \cup \{e_1\}.$$

Observe that $|Z| = \sum_{i=2}^k (|Z_i| - 1) + |Z_1| + 1$. By the induction hypothesis, $|Z_i| = m(H_i) - n(H_i) + 2$, and therefore,

$$|Z| = \sum_{i=1}^k (m(H_i) - n(H_i) + 1) + 2 = \sum_{i=1}^k m(H_i) + k - \sum_{i=1}^k n(H_i) + 2 = m(H) - n(H) + 2.$$

Start the zero forcing process that produces x_1 as Z_1 -terminal on $\overline{H_1}$. Because $e_1 \in Z$, the zero forcing process within $\overline{H_1}$ runs to completion. For $i < t$, when the zero forcing process on $\overline{H_{i-1}}$ is complete (so x_{i-1} is blue), force the vertices e_i and y_i . Then completely perform forcing on $\overline{H_i}$ to obtain that x_i is Z_i -terminal (in $\overline{H_i}$). For $i > t$, when the zero forcing process on $\overline{H_{i+1}}$ is complete (so y_{i+1} is blue), force the vertices e_{i+1} and x_i . Then perform forcing on $\overline{H_i}$ to obtain that y_i is Z_i -terminal (in $\overline{H_i}$). Finally, $y_{t+1} \rightarrow e_{t+1}$ and $x_{t-1} \rightarrow e_t \rightarrow y_t$, and perform forcing in $\overline{H_t}$ to obtain that v is Z_t -terminal in $\overline{H_t}$ and hence in \overline{H} .

Finally, let \widehat{Z} be the union of Z and the set of the edge-vertices f_1, \dots, f_ℓ of \overline{G} associated with the deleted edges of G . Then \widehat{Z} is a zero forcing set for \overline{G} , $|\widehat{Z}| = |Z| + \ell = m(G) - n(G) + 2$, $u \in \widehat{Z}$ and v is \widehat{Z} -terminal (using the same zero forcing process as in \overline{H}). \square

THEOREM 2.4. For any connected graph G ,

$$Z(\overline{G}) \leq m(G) - n(G) + 1 + Z(\overline{BF(G)}).$$

Proof. Construct the bridge tree of G and subdivide it to obtain $\overline{BF(G)}$. Choose a zero forcing set $B = \{b_1, \dots, b_z\}$ for $\overline{BF(G)}$ (where $z = Z(\overline{BF(G)})$) and choose a set of forcing paths $P^{(i)}$ with $b_i \in V(P^{(i)})$. Number the vertices in $\overline{BF(G)}$ so that the j th vertex in path $P^{(i)}$ (in forcing order) is numbered $w_j^{(i)}$ (so $b_i = w_1^{(i)}$). The islands of G and edge-vertices of $\overline{BF(G)}$ will collectively be named $H_j^{(i)}$ in such a way that $\overline{H_j^{(i)}}$ is always the island corresponding to vertex $w_j^{(i)}$ of the tree $\overline{BF(G)}$. Depending on j , $H_j^{(i)}$ is an island vertex of G , a multiple-vertex island of G , or a single edge-vertex of $\overline{BF(G)}$.

Within $\overline{H_j^{(i)}}$, let $x_j^{(i)}$ be the vertex that is the endpoint of the bridge from $\overline{H_j^{(i)}}$ to $\overline{H_{j+1}^{(i)}}$ (if there is such), and let $y_j^{(i)}$ be the vertex that is the endpoint of the bridge from $\overline{H_j^{(i)}}$ to $\overline{H_{j-1}^{(i)}}$ (if there is such); it is possible $x_j^{(i)} = y_j^{(i)}$. Figure 2.2 illustrates this nomenclature.

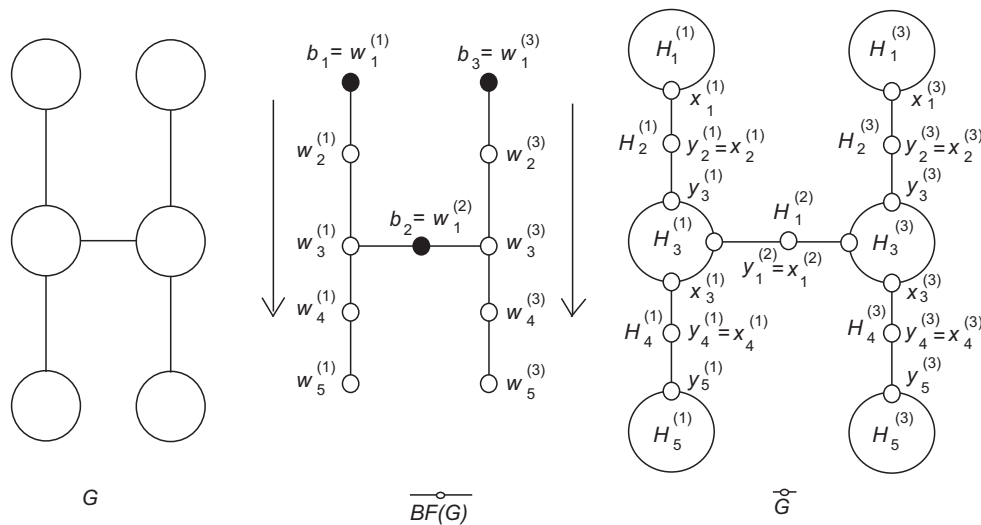


FIG. 2.2. Example for Theorem 2.4; arrows indicate the direction of zero forcing.

Then construct a zero forcing set as follows: For each island $\overline{H_j^{(i)}}$ corresponding to an original island $H_j^{(i)}$ of G , choose a zero forcing set $Z_j^{(i)}$ of order $m(H_j^{(i)}) - n(H_j^{(i)}) + 2$ with $y_j^{(i)} \in Z_j^{(i)}$ and $x_j^{(i)}$ being $Z_j^{(i)}$ -terminal (if one or the other of $x_j^{(i)}, y_j^{(i)}$ does not exist, ignore that instruction). For an edge-vertex island, the zero forcing set is the single vertex $x_j^{(i)} = y_j^{(i)}$. Then for all i, j define

$$\widehat{Z}_j^{(i)} := \begin{cases} Z_j^{(i)} & \text{if } j = 1; \\ Z_j^{(i)} \setminus \{y_j^{(i)}\} & \text{if } j > 1. \end{cases}$$

Then

$$Z := \bigcup_{i,j} \widehat{Z}_j^{(i)}$$

is a zero forcing set with the following zero forcing process: For each i , force in $\overline{H_1^{(i)}}$ with x_1 being $Z_1^{(i)}$ -terminal. Then proceed through the paths as the forcing is done in the tree, with $x_j^{(i)} \rightarrow y_{j+1}^{(i)}$.

Maximum Nullity of a Complete Subdivision Graph is Equal to its Zero Forcing Number 453

Let h be the number of islands of G (so $BF(G)$ has $h - 1$ edges). Observe that

$$|Z| = \sum_{i,j} |\widehat{Z}_j^{(i)}| = \sum_{i,j} (|Z_j^{(i)}| - 1) + Z(\overline{BF(G)}).$$

If $\overline{H_j^{(i)}}$ is an edge-vertex of \overline{G} then $\widehat{Z}_j^{(i)} = \emptyset$, or equivalently, $|Z_j^{(i)}| - 1 = 0$. So the sum can be taken only over the subdivisions $\overline{H_j^{(i)}}$ of the islands $H_j^{(i)}$ of G , and for each such subdivided island, $|Z_j^{(i)}| = m(H_j^{(i)}) - n(H_j^{(i)}) + 2$. Since $n(G) = \sum_{\text{islands of } G} n(H_j^{(i)})$ and

$$m(G) = \left(\sum_{\text{islands of } G} m(H_j^{(i)}) \right) + h - 1, \text{ it follows that}$$

$$\begin{aligned} |Z| &= \sum_{\text{islands of } G} (m(H_j^{(i)}) - n(H_j^{(i)}) + 1) + Z(\overline{BF(G)}) \\ &= \sum_{\text{islands of } G} m(H_j^{(i)}) - \sum_{\text{islands of } G} n(H_j^{(i)}) + h + Z(\overline{BF(G)}) \\ &= m(G) - n(G) + 1 + Z(\overline{BF(G)}). \quad \square \end{aligned}$$

3. Bounding maximum nullity. In this section, we determine $M(\overline{G})$ by producing a matrix of the desired nullity that is also a universally optimal matrix.

THEOREM 3.1. *Let G be a graph constructed by appending $\ell \geq 0$ leaves to an island H . Then for any field F ,*

$$M(F, \overline{G}) = Z(\overline{G}) = m(G) - n(G) + 1 + Z(\overline{BF(G)}). \quad (3.1)$$

If $\ell \geq 2$, this formula is equivalent to

$$M(F, \overline{G}) = m(H) - n(H) + \ell \quad \text{or} \quad \text{mr}(F, \overline{G}) = 2n(H) + \ell. \quad (3.2)$$

Finally, \overline{G} has a universally optimal matrix and field independent minimum rank.

Proof. If $\ell = 0, 1$ or 2 , then $\overline{BF(G)}$ is P_1, P_2 or P_3 , so $Z(\overline{BF(G)}) = 1$, and thus $m(G) - n(G) + 2 \leq M(F, \overline{G}) \leq Z(\overline{G}) \leq m(G) - n(G) + 2$, where the first inequality is by Theorem 1.4 and the last by Theorem 2.4. Furthermore, G has a universally optimal matrix and field independent minimum rank by Proposition 1.7.

Suppose $\ell \geq 2$. Then $BF(G) = K_{1,\ell}$, so $Z(\overline{BF(G)}) = \ell - 1$. Since $m(G) - n(G) = m(H) - n(H)$, in this case the equivalence of (3.1) and (3.2) is clear. By Theorem 2.4 and Remark 1.6, it suffices to exhibit a $\{0, 1\}$ matrix $A \in \mathcal{S}(F, \overline{G})$ having null $A \geq m(H) - n(H) + \ell$. Because $n(\overline{G}) = n(G) + m(G) = n(H) + m(H) + 2\ell$, null $A \geq m(H) - n(H) + \ell$ is equivalent to $\text{rank } A \leq 2n(H) + \ell$.

For each original vertex u of \overline{H} , let A_u be the adjacency matrix of rank 2 of the star formed by u and its neighbors in \overline{G} . Embed A_u appropriately into a matrix

of order $n(\overline{G})$ to obtain a matrix \tilde{A}_u of rank 2. Similarly, for each leaf vertex v_i , $i = 1, \dots, \ell$, let J_{v_i} be the 2×2 matrix $\begin{bmatrix} 1 & 1 \\ 1 & 1 \end{bmatrix}$ of rank 1 corresponding to v_i , its neighbor in \overline{G} , and their common edge. Embed J_{v_i} appropriately into a matrix of order $n(\overline{G})$ to obtain a matrix \tilde{J}_{v_i} of rank 1. Let

$$A = \sum_{u \in V(H)} \tilde{A}_u + \sum_{i=1}^{\ell} \tilde{J}_{v_i}.$$

Then A is a $\{0, 1\}$ matrix in $\mathcal{S}(F, \overline{G})$ and has rank no more than $2n(H) + \ell$. \square

Before giving the proof of our main result on the maximum nullity, we will need a basic formula to allow us to look at the nullity when splitting along an edge in a subdivided graph. In the following we will let $G \underset{e}{+} H$ denote the graph formed by taking the disjoint union of G and H and adding the edge $e = \{x, y\}$ which connects vertex $x \in G$ to $y \in H$. This graph was called an *edge sum* in [4] and the range of the minimum rank of the edge sum was determined. Similarly, identifying x and y to a common vertex v gives the graph we denote by $G \underset{v}{\oplus} H$, which has v as a cut-vertex.

LEMMA 3.2. *Let $G = G_1 \underset{e}{+} G_2$ be a graph with bridge $e = \{x, y\}$. Then*

$$M(\overline{G}) = M(\overline{G_1} \underset{x}{\oplus} K_2) + M(\overline{G_2} \underset{y}{\oplus} K_2) - 1.$$

Proof. By the cut-vertex reduction formula (see, e.g., [14])

$$\text{mr}(\overline{G}) = \min \{ \text{mr}(\overline{G_1} \underset{x}{\oplus} K_2) + \text{mr}(\overline{G_2} \underset{y}{\oplus} K_2), \text{mr}(\overline{G_1}) + \text{mr}(\overline{G_2}) + 2 \}.$$

But for any graph H , we have $\text{mr}(H \underset{v}{\oplus} K_2) \leq \text{mr}(H) + 1$, so

$$\text{mr}(\overline{G}) = \text{mr}(\overline{G_1} \underset{x}{\oplus} K_2) + \text{mr}(\overline{G_2} \underset{y}{\oplus} K_2).$$

Since $n(\overline{G}) = n(\overline{G_1}) + n(\overline{G_2}) + 1 = n(\overline{G_1} \underset{x}{\oplus} K_2) - 1 + n(\overline{G_2} \underset{y}{\oplus} K_2) - 1 + 1$, then

$$n(\overline{G}) - \text{mr}(\overline{G}) = n(\overline{G_1} \underset{x}{\oplus} K_2) - \text{mr}(\overline{G_1} \underset{x}{\oplus} K_2) + n(\overline{G_2} \underset{y}{\oplus} K_2) - \text{mr}(\overline{G_2} \underset{y}{\oplus} K_2) - 1,$$

which is equivalent to the desired equation. \square

In the above lemma, we have used the cut-vertex reduction formula. The proof of this result is constructive and preserves universal optimality for the matrices that we consider (see [11, Theorem 2.19]). The next theorem is the final step in the proof of our main result (Theorem 1.3).

THEOREM 3.3. *For every connected graph G and field F ,*

$$M(F, \overline{G}) = Z(\overline{G}) = m(G) - n(G) + 1 + Z(\overline{BF(G)})$$

Maximum Nullity of a Complete Subdivision Graph is Equal to its Zero Forcing Number 455

and \overline{G} has a universally optimal matrix.

Proof. We proceed by induction on the number of vertices. If G is the graph on a single vertex, then the formula gives 1 establishing the base case.

Now suppose that the result holds for all connected graphs on fewer than n vertices, and consider a connected graph on n vertices. If each bridge in the graph is incident to a leaf, then G is a single island with some pendent vertices and this result was handled in Theorem 3.1. So we may assume that there is a bridge that is not incident to a leaf.

Let $e = \{x, y\}$ denote this bridge, so that the graph consists of component G_1 with vertex x , component G_2 with vertex y , and e joining x and y . Now consider the graphs $H_1 = G_1 \oplus_x K_2$ and $H_2 = G_2 \oplus_y K_2$. We note that $m(G) = m(H_1) + m(H_2) - 1$ and $n(G) = n(H_1) + n(H_2) - 2$. Also by assumption neither G_1 nor G_2 is a single vertex, and so both H_1 and H_2 are connected graphs with fewer than n vertices.

We now have

$$\begin{aligned} M(\overline{G}) &= M(\overline{G_1 \oplus_x K_2}) + M(\overline{G_2 \oplus_y K_2}) - 1 \\ &= M(\overline{G_1 \oplus_x K_2}) + M(\overline{G_2 \oplus_y K_2}) - 1 \\ &= M(\overline{H_1}) + M(\overline{H_2}) - 1 \\ &= (m(H_1) - n(H_1) + 1 + Z(\overline{BF(H_1)})) \\ &\quad + (m(H_2) - n(H_2) + 1 + Z(\overline{BF(H_2)})) - 1 \\ &= (m(G) + 1) - (n(G) + 2) + 2 + Z(\overline{BF(H_1)}) + Z(\overline{BF(H_2)}) - 1 \\ &= m(G) - n(G) + Z(\overline{BF(H_1)}) + Z(\overline{BF(H_2)}). \end{aligned}$$

The first line is an application of Lemma 3.2, while the second line follows by noting that adding a pendent vertex to a pendent vertex does not change the maximum nullity of a graph, nor the property of having a universally optimal matrix. The remainder reduces to substituting in the above information, using the induction hypothesis on H_1 and H_2 , and simplifying the result.

To conclude it suffices to show that

$$Z(\overline{BF(H_1)}) + Z(\overline{BF(H_2)}) = 1 + Z(\overline{BF(G)}).$$

If we take an optimal set of zero forcing paths for $Z(\overline{BF(G)})$, then the vertex corresponding to e will only be involved in a single zero forcing path. So we can use the same zero forcing paths on H_1 and H_2 that we used for G where we might need to break up one path (i.e., increase the total by one), thus the left hand side is at most the right hand side.

On the other hand, we can take an optimal set of zero forcing paths for $Z(\overline{BF(H_1)})$ and $Z(\overline{BF(H_2)})$ where we insist that one of the zero forcing paths must end at the pendent vertex we have added to G_1 and that one of the zero forcing paths must start at the pendent vertex we have added to G_2 (note for a zero forcing set Z , a pendent vertex must be in Z or Z -terminal, and these two properties can be interchanged by reversing the zero forcing process [3, Theorem 2.6]). We can now combine the two sets of forcing paths and glue two forcing paths together (reducing the total by one). Thus, we can conclude that the right hand side is at most the left hand side.

This establishes the equality and concludes the proof. \square

REMARK 3.4. By Theorem 3.3, $Z(\overline{G}) = m(G) - n(G) + 1 + Z(\overline{BF(G)})$, and so the construction in Theorem 2.4 gives a minimum zero forcing set. In fact, if G is 2-edge connected, every minimum zero forcing set of \overline{G} must contain exactly one original vertex, which can be chosen arbitrarily, the remainder being edge-vertices. To see this, if \overline{G} had a zero forcing set of size $m(G) - n(G) + 2$ with two or more original vertices, say u and v , then there is a zero forcing process so that some original vertex w is never used to force (i.e., either the last vertex forced is an original vertex and this is w or the last vertex forced is an edge vertex and the neighbor of the edge vertex that did not force it is w). Now construct a new graph G' by adding pendent vertices to u , v , and w , so that $BF(G') = K_{1,3}$. Then there is a zero forcing set for $\overline{G'}$ of size $m(G') - n(G') + 2$, i.e., use the zero forcing set of \overline{G} given above and replace the vertices u and v by the pendent vertices we added adjacent to them. Now forcing as before we will end at w , which can force out its pendent vertex. But this is impossible since Theorem 3.3 shows that the minimum zero forcing set of G' has size $m(G') - n(G') + 1 + Z(\overline{BF(G')}) > m(G') - n(G') + 2$ because $Z(\overline{BF(G')}) = Z(BF(G')) = 2$.

Acknowledgment. This research was carried out at the Banff International Research Station and the authors thank BIRS for providing a wonderfully stimulating mathematical environment for their extended stay on the beautiful island of Banff (Alberta experienced extensive flooding in June 2013 and Banff was temporarily cut off from the rest of the world).

REFERENCES

- [1] A. Aazami. *Hardness Results and Approximation Algorithms for Some Problems on Graphs*. PhD Thesis, University of Waterloo, 2008. Available at <http://hdl.handle.net/10012/4147>.

Maximum Nullity of a Complete Subdivision Graph is Equal to its Zero Forcing Number 457

- [2] AIM Minimum Rank – Special Graphs Work Group (F. Barioli, W. Barrett, S. Butler, S.M. Cioabă, D. Cvetković, S.M. Fallat, C. Godsil, W. Haemers, L. Hogben, R. Mikkelsen, S. Narayan, O. Pryporova, I. Sciriha, W. So, D. Stevanović, H. van der Holst, K. Vander Meulen, and A. Wangsness). Zero forcing sets and the minimum rank of graphs. *Linear Algebra and its Applications*, 428:1628–1648, 2008.
- [3] F. Barioli, W. Barrett, S. Fallat, H.T. Hall, L. Hogben, B. Shader, P. van den Driessche, and H. van der Holst. Zero forcing parameters and minimum rank problems. *Linear Algebra and its Applications*, 433:401–411, 2010.
- [4] F. Barioli, S.M. Fallat, and L. Hogben. Computation of minimal rank and path cover number for graphs. *Linear Algebra and its Applications*, 392:289–303, 2004.
- [5] W. Barrett, R. Bowcutt, M. Cutler, S. Gibelyou, and K. Owens. Minimum rank of edge subdivisions of graphs. *Electronic Journal of Linear Algebra*, 18:530–563, 2009.
- [6] D. Burgarth, S. Bose, C. Bruder, and V. Giovannetti. Local controllability of quantum networks. *Physical Review A*, 79:060305(R), 2009.
- [7] D. Burgarth, D. D’Alessandro, L. Hogben, S. Severini, and M. Young. Zero forcing, linear and quantum controllability for systems evolving on networks. *Transactions on Automatic Control*, 58:2349–2354, 2013.
- [8] D. Burgarth and V. Giovannetti. Full control by locally induced relaxation. *Physical Review Letters*, 99:100501, 2007.
- [9] D. Burgarth and K. Yuasa. Quantum system identification. *Physical Review Letters*, 108:080502, 2012.
- [10] M. Catral, A. Cepek, L. Hogben, M. Huynh, K. Lazebnik, T. Peters, and M. Young. Zero forcing number, maximum nullity, and path cover number of subdivided graphs. *Electronic Journal of Linear Algebra*, 23:906–922, 2012.
- [11] L. DeAlba, J. Grout, L. Hogben, R. Mikkelsen, and K. Rasmussen. Universally optimal matrices and field independence of the minimum rank of a graph. *Electronic Journal of Linear Algebra*, 18:403–419, 2009.
- [12] L. Deaett and V. Srinivasan. Linear algebraic methods in communication complexity. *Linear Algebra and its Applications*, 436:4459–4472, 2012.
- [13] L. DeLoss, J. Grout, L. Hogben, T. McKay, J. Smith, and G. Tims. Techniques for determining the minimum rank of a small graph. *Linear Algebra and its Applications* 432:2995–3001, 2010.
- [14] S. Fallat and L. Hogben. The minimum rank of symmetric matrices described by a graph: A survey. *Linear Algebra and its Applications*, 426:558–582, 2007.
- [15] S.M. Fallat and L. Hogben. Chapter 46: Minimum Rank, Maximum Nullity, and Zero Forcing Number of Graphs. In *Handbook of Linear Algebra*, second edition, L. Hogben (editor), CRC Press, Boca Raton, FL, 2014.
- [16] H.T. Hall, L. Hogben, R. Martin, and B. Shader. Expected values of parameters associated with the minimum rank of a graph. *Linear Algebra and its Applications*, 433:101–117, 2010.
- [17] L.-H. Huang, G.J. Chang, and H.-G. Yeh. On minimum rank and zero forcing sets of a graph. *Linear Algebra and its Applications*, 432:2961–2973, 2010.
- [18] L.-H. Huang, G.J. Chang, and H.-G. Yeh. A note on universally optimal matrices and field independence of the minimum rank of a graph. *Linear Algebra and its Applications*, 433:585–594, 2010.
- [19] R. Martin. Personal communication.
- [20] K. Owens. *Properties of the Zero forcing Number*. Master Thesis, Brigham Young University, 2009.